

**MAT TYPE**  
 ControlMat  
 ArmorMat (SELECT ONE)

**MAT TRIM**

AE-1     CORNERS  
 MITERED

AE-2     MITERED

AE-3     CORNERS  
 MITERED

**EDGE FINISH**

SQUARE  
 RAMPED<sub>STD</sub>  
 MIXED (MARK 'R' OR 'S')

**COLOR**

BLACK<sub>STD</sub>     YELLOW  
 BLUE     RED

**GROMMETS**

NONE<sub>STD</sub>     PERIMETER

**LEAD CONFIGURATION**

SINGLE LEAD (4-WIRE)<sub>STD</sub>  
 SERIES (2 x 2-WIRE)

**LEAD LENGTH**

72"<sub>STD</sub>  
 CUSTOM:  
 \_\_\_\_\_

**EXAMPLE: CONTROLMAT WITH RAMPED EDGES**  
 CHECK OFF DESIRED LEAD LOCATION CODES

**ALTERNATE CONFIGURATIONS:**  
 (2-WIRE, SERIAL, DUAL)

LRS     SD

LCS     LD

LLS     LD

SLS<sub>STD</sub>     SCS     SRS

\* LEAD PLACEMENT CAN BE OFFSET FROM ANY EDGE.  
 \* TRIMS ADD TO OVERALL SIZE (SEE PAGE 2).  
 \* TOP AND BOTTOM COLORS CAN BE DIFFERENT.  
 \* MAX WIDTH IS 48" PER MAT.  
 \* MAX LENGTH IS 144" PER MAT.

ORDER LENGTH (L): \_\_\_\_\_    ORDER WIDTH (W): \_\_\_\_\_

**EXAMPLE: STANDARD DIAMOND PLATE MAT**  
 CHECK OFF DESIRED LEAD LOCATION CODES

**ALTERNATE CONFIGURATIONS:**  
 (2-WIRE, SERIAL, DUAL)

LRS     SD

LCS     LD

LLS     LD

SLS<sub>STD</sub>     SCS     SRS

RAMPED CORNER

\* ACTIVE AREA LENGTH IS (L - 6 $\frac{1}{2}$ " ) FOR RAMPED EDGES.  
 \* ACTIVE AREA WIDTH IS (W - 6 $\frac{1}{2}$ " ) FOR RAMPED EDGES.  
 \* ACTIVE AREA LENGTH IS (L - 3 $\frac{1}{2}$ " ) FOR SQUARE EDGES.  
 \* ACTIVE AREA WIDTH IS (W - 3 $\frac{1}{2}$ " ) FOR SQUARE EDGES.  
 \* LONG MATS REQUIRE JOINING STRIPS (SEE PAGE 2).  
 \* PLATE CUTOUTS ARE POSSIBLE (SEE PAGE 2).

ORDER LENGTH (L): \_\_\_\_\_    ORDER WIDTH (W): \_\_\_\_\_

**DPM MATS**

**EDGE/CORNER STYLE**

RAMPED<sub>STD</sub>  
 SQUARE

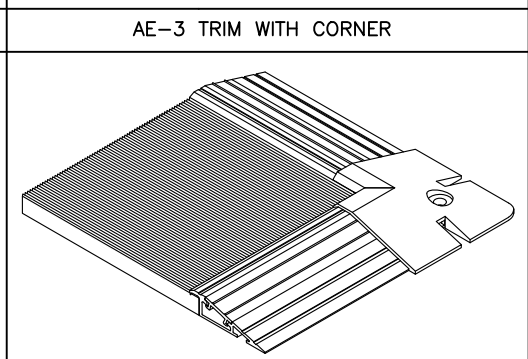
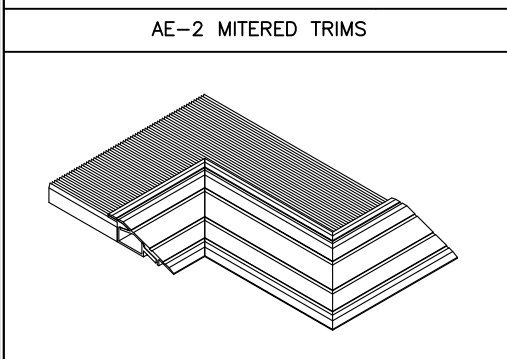
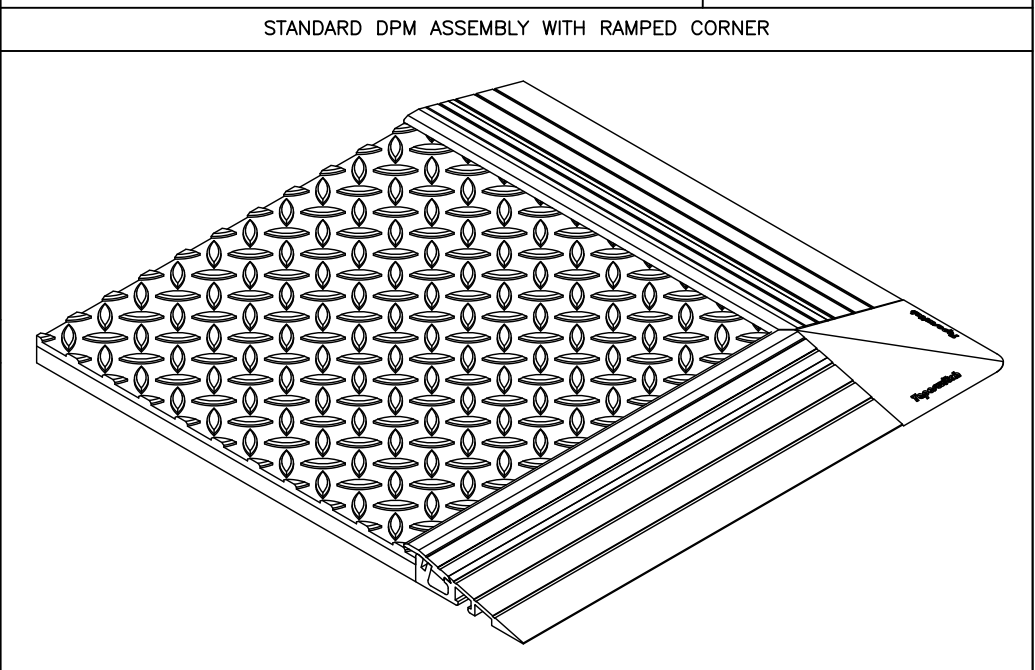
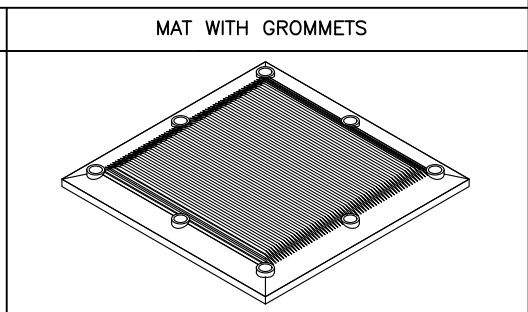
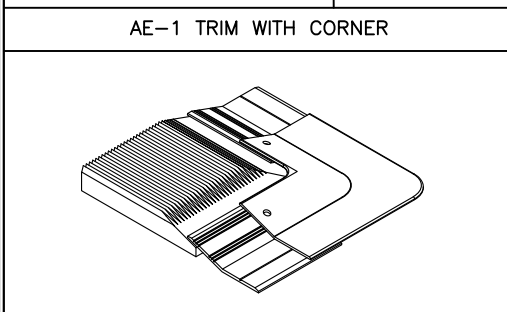
**LEAD TYPE**

20<sup>AWG</sup>/4, BRAIDED CABLE  
 18<sup>AWG</sup>/4,  $\phi$  $\frac{1}{4}$ , SINGLE LEAD<sub>STD</sub>

**LEAD LENGTH**

72"<sub>STD</sub>  
 CUSTOM:  
 \_\_\_\_\_

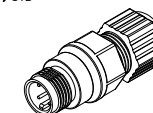
SEE NEXT PAGE FOR CUSTOM APPLICATIONS



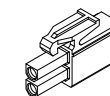
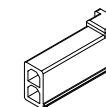
CUSTOM APPLICATIONS – SKETCH AND DEFINE YOUR REQUIREMENTS BELOW:

TERMINATION OPTIONS

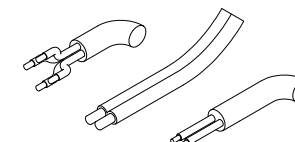
M12 CONNECTOR  
(1838275-2)<sub>STD</sub>



MATE-N-LOK STYLE  
(172233-1) RECEPTACLE  
(172165-1) PLUG



BARE LEAD CABLE/CORD

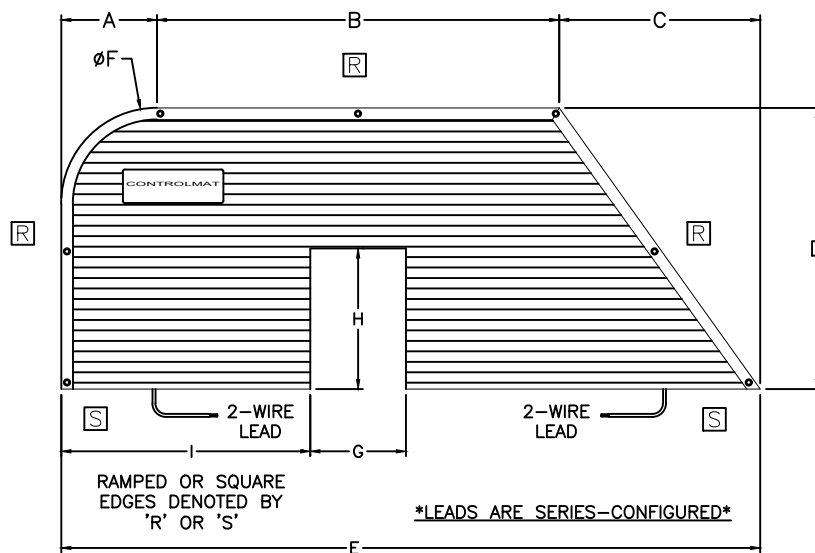


OTHER OPTION  
(PLEASE SPECIFY):

SEE "POB-4-4" FOR MORE OPTIONS

EXAMPLE OF CUSTOM CKP APPLICATION SKETCH

CUSTOM SHAPES SUCH AS THIS CAN BE SUBMITTED TO ENGINEERING/SALES FOR A PRELIMINARY SALES PRINT AND QUOTE (ALPHABET CHARACTERS ARE ARBITRARY, PLEASE STATE YOUR ACTUAL DIMENSIONS)



EXAMPLE OF CUSTOM DPM SKETCH

CUSTOM SHAPES SUCH AS THIS CAN BE SUBMITTED TO ENGINEERING/SALES FOR A PRELIMINARY SALES PRINT AND QUOTE (ALPHABET CHARACTERS ARE ARBITRARY, PLEASE STATE YOUR ACTUAL DIMENSIONS)

